

## Mini-ITX Series

# VIA EPIA LT

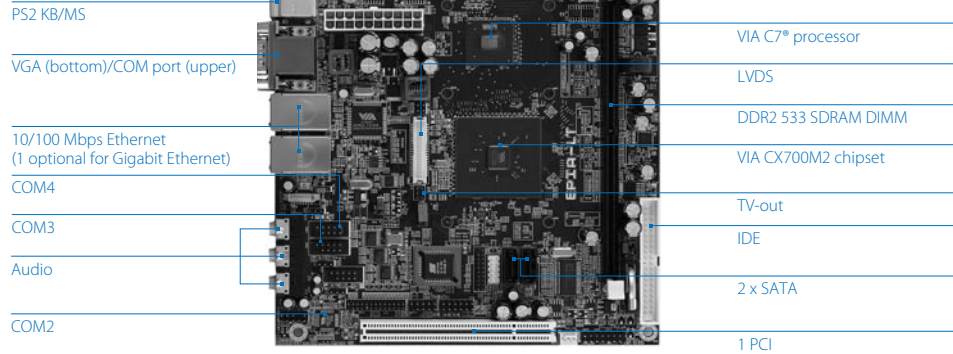
Mini-ITX C7® Board with  
MPEG-2/4, WMV9, LVDS, 4  
COM Ports & 2 LAN

## Features

- Integrated VIA UniChrome™ Pro II 3D/2D AGP graphics with MPEG-2/4 and WMV9 decoding acceleration
- Supports DDR2 533 DIMM socket
- Supports dual-channel LVDS
- Supports two 10/100 Mbps Ethernet (optional for one Gigabit LAN)
- Supports four COM ports (COM 2/3/4 with 5 V/12 V select)



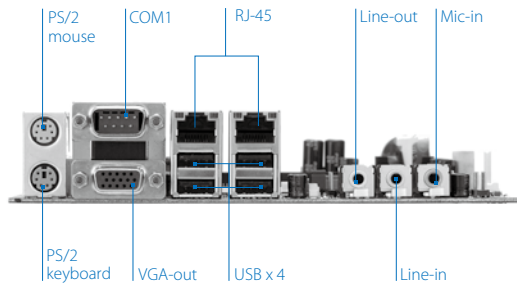
## Board Placement



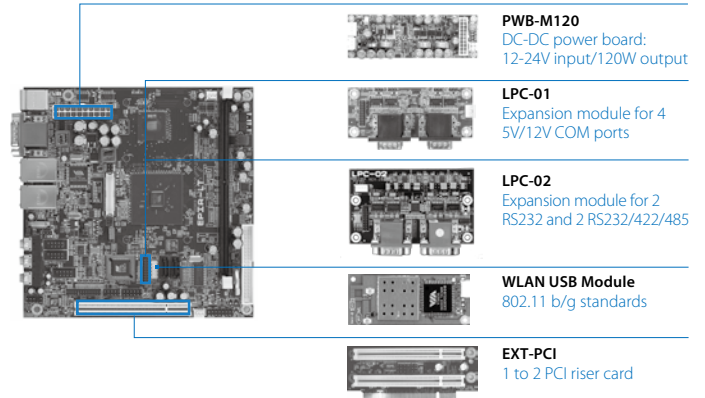
## Specifications

Model Name	EPIA LT15000G	EPIA LT10000EG
<b>Processor</b>	1.5GHz VIA C7®	1.0GHz VIA fanless C7®
<b>Chipset</b>	VIA CX700M2 Unified Digital Media IGP chipset	
<b>System Memory</b>	1 x DDR2 533 DIMM socket. Up to 1GB memory size	
<b>VGA</b>	Integrated VIA UniChrome™ Pro II 3D/2D AGP graphics with MPEG-2/4 and WMV9 decoding acceleration	
<b>Expansion Slot</b>	1 x PCI Slot	
<b>Onboard IDE</b>	1 x UltraDMA 133/100/66/33 connector	
<b>Onboard LAN</b>	1 x VIA VT6107 10/100 Mbps Fast Ethernet controller 1 x VIA VT6107 10/100 Mbps Fast Ethernet controller or manufacturing option for VT6122 Gigabit Ethernet controller	
<b>Onboard Audio</b>	VIA VT1708A High Definition Audio Codec	
<b>Onboard I/O Connectors</b>	1 x USB pin header for 2 USB 2.0 ports 1 x LPC connector 3 x Serial port pin headers for COM2/3/4 (with 5V/12V select jumper) 1 x PCI slot 1 x Digital I/O pin header 2 x SATA connectors 1 x MFX pin header 1 x Front panel audio pin header 1 x LPT pin header 1 x LVDS module connector, for 18/24-bit dual channel LVDS panel 1 x LVDS panel power selector pin header 1 x LVDS inverter pin header 1 x CIR pin header (convertible to KB/MS) 2 x Fan connectors for CPU & system fans 1 x Front panel connector 1 x ATX power connector	
<b>Back Panel I/O</b>	1 x VGA connector 1 x COM port 2 x RJ-45 LAN connectors 4 x USB 2.0 ports 3 x Audio jacks for Line-out, Line-in, & Mic-in 1 x PS2 mouse port 1 x PS2 keyboard port	
<b>BIOS</b>	AMI BIOS LPC 2/4/8Mbit flash memory	
<b>Operating System</b>	Windows 2000/XP, Linux, Win CE, XPe	
<b>System Monitoring &amp; Management</b>	AC Power failure recovery RTC timer to Power On Wake-on LAN/KB/MS Watch Dog Timer	
<b>Operating Temperature</b>	0°C up to 50°C	
<b>Operating Humidity</b>	0% ~ 95% (relative humidity; non-condensing)	
<b>Form Factor</b>	Mini-ITX (6-layer) 17 cm x 17 cm	

## Back Panel I/O



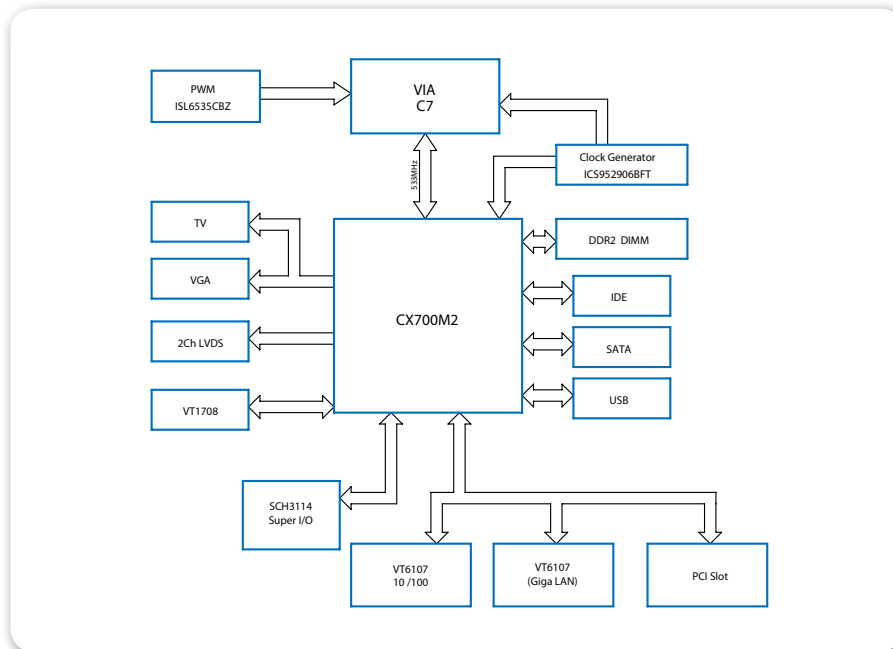
## Accessories



## Ordering Information

Model Name	CPU Frequency	Description
LT15000G	1.5GHz C7®	Mini-ITX Board with 1.5GHz C7®, VGA, LVDS, 4 x COM, Dual LAN, 4 x GPI & 4 x GPO, IDE, SATA
LT10000EG	1.0GHz C7®	Mini-ITX Fanless Board with 1.0GHz C7®, VGA, LVDS, 4 x COM, Dual LAN, 4 x GPI & 4 x GPO, IDE, SATA

## Block Diagram



## Packing List

Items
1 x ATA-66/100/133 IDE ribbon cable
1 x General installation guide
1 x Driver Utility CD
1 x I/O bracket